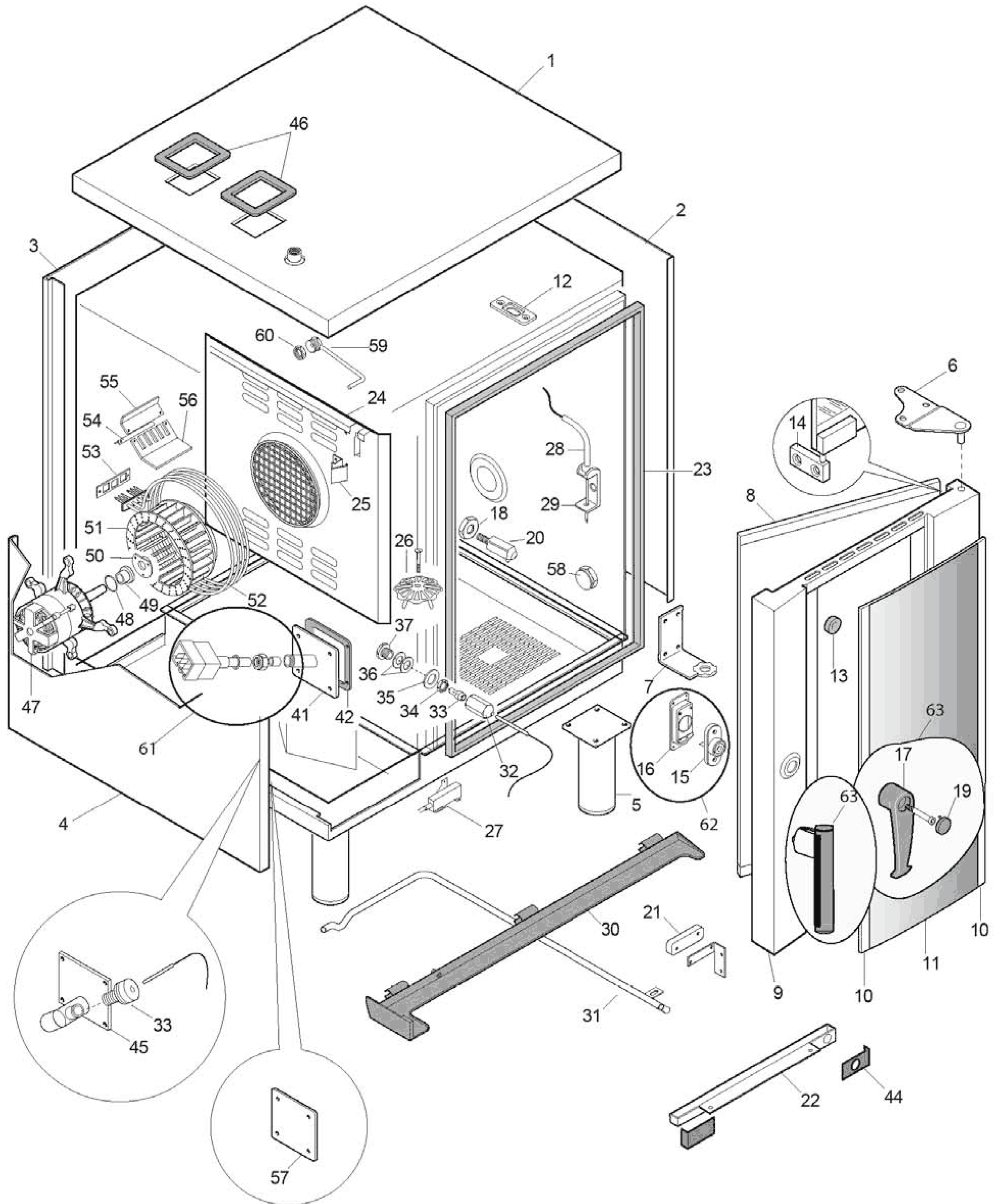


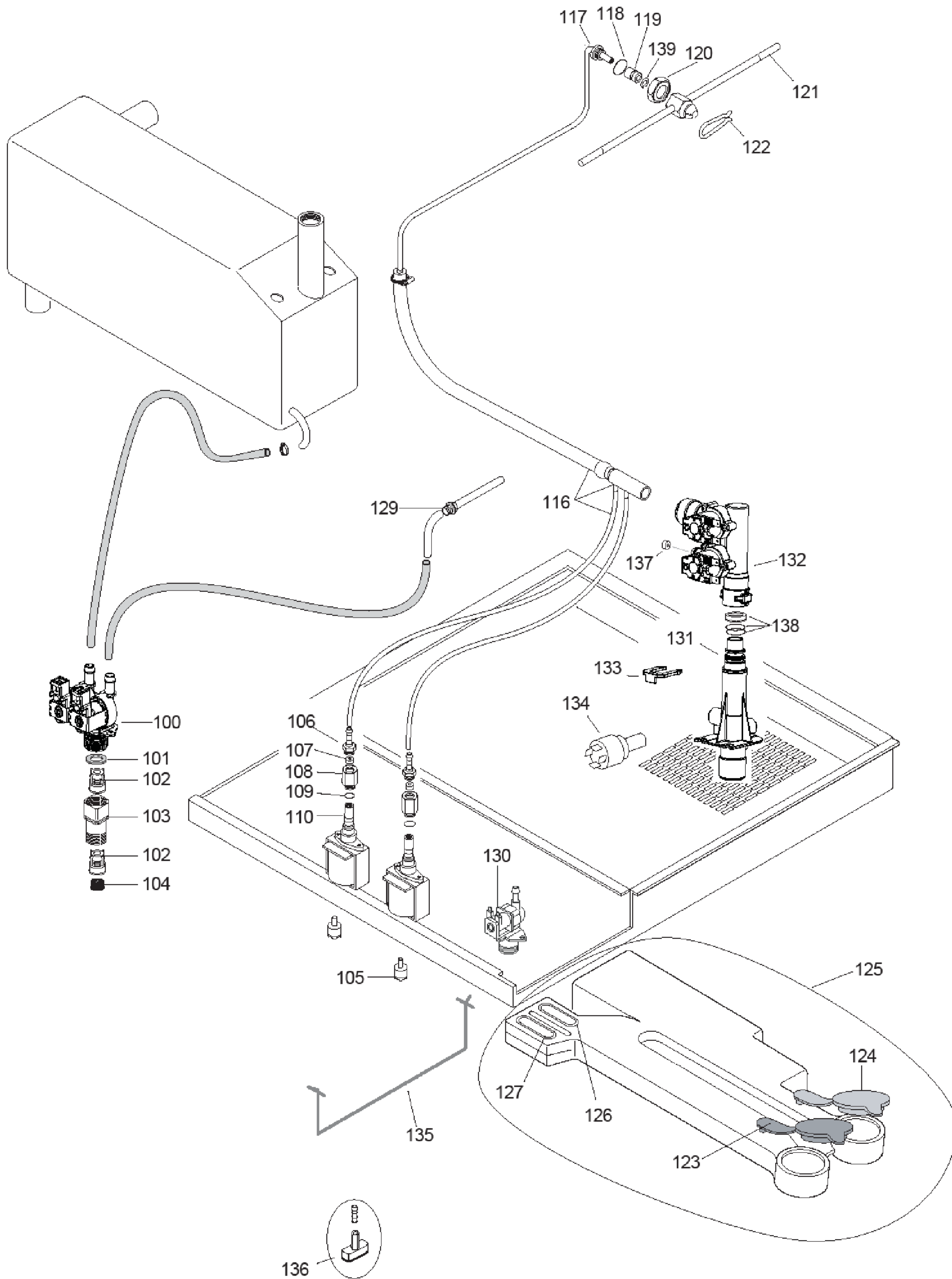
**10 GN 1/1 ELECTRIC CONVECTION / STEAM OVEN**  
**FORNO CONVEZIONE / VAPORE ELETTRICO 10 GN 1/1**

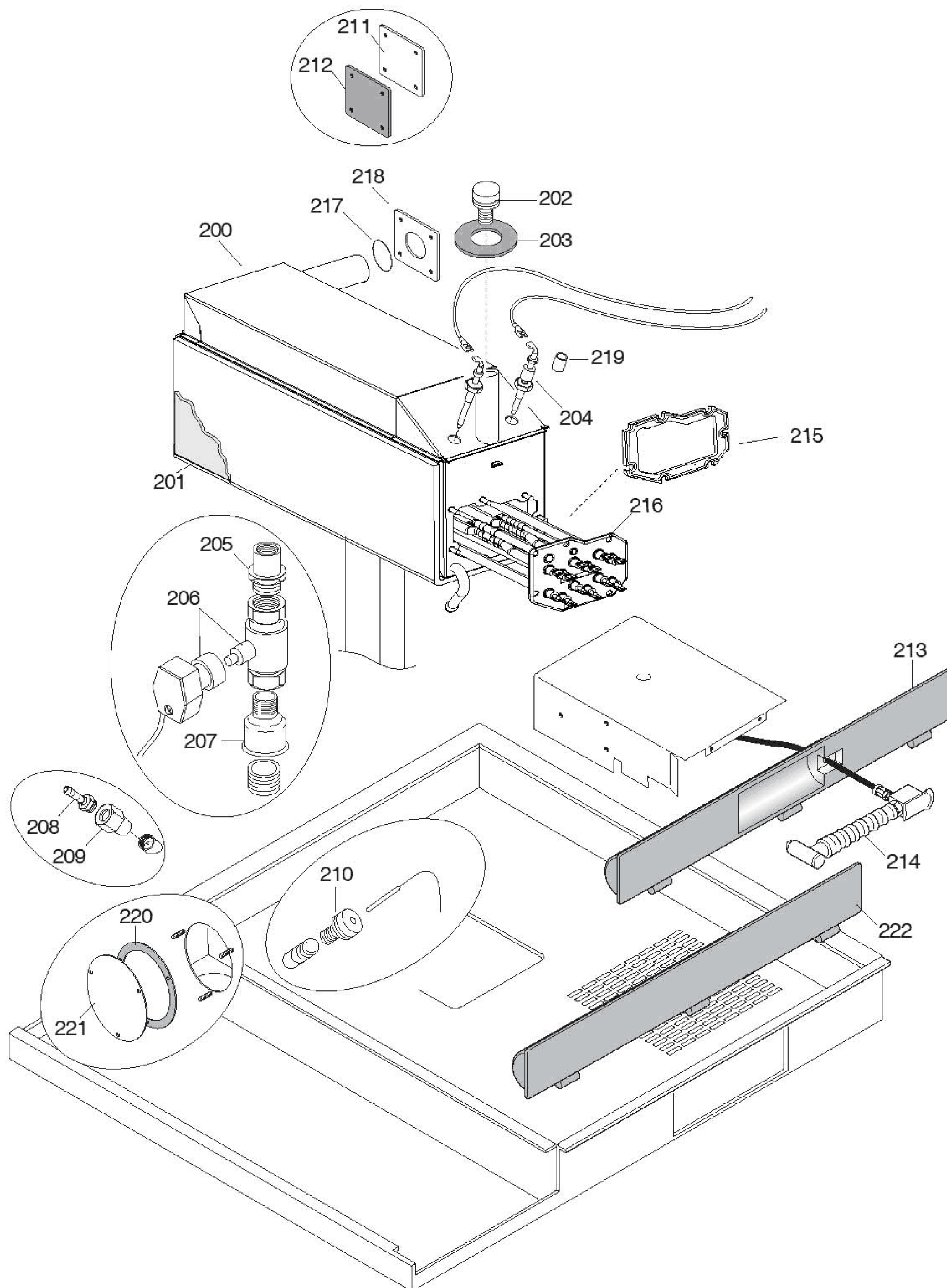
PNC	Model	Ref	Group	Level	Page	Notes
267202	AOS101ETA1	a	AOS	Touch	2...11	400V 3N 50Hz
267212	AOS101ETH1	b	AOS	Touch	2...11	400V 3N 50Hz P80
267222	AOS101ETN1	c	AOS	Touch	2...11	230V 3N
267232	AOS101ETC1	d	AOS	Touch	2...11	200V 3 60Hz Japan
267242	AOS101ETE1	e	AOS	Touch	2...11	440V 3 Marine
267252	AOS101ETF1	f	AOS	Touch	2...11	400V 3 Marine
267282	AOS101ETM1	h	AOS	Touch	2...11	208V 3 USA
267292	AOS101ETB1	i	AOS	Touch	2...11	240V 3 USA
267322	AOS101ETV1	i1	AOS	Touch	2...11	480V 3 USA
267302	AOS101ETK1	l	AOS	Touch	2...11	400V 3N UK
268202	AOS101EBA2	n	AOS	Level B	2...11	400V 3N
268212	AOS101EBH2	o	AOS	Level B	2...11	400V 3N 50Hz P80
268222	AOS101EBN2	p	AOS	Level B	2...11	230V 3N
268232	AOS101EBC2	q	AOS	Level B	2...11	200V 3 60Hz Japan
268242	AOS101EBE2	r	AOS	Level B	2...11	440V 3 Marine
268252	AOS101EBF2	s	AOS	Level B	2...11	400V 3 Marine
268302	AOS101EBH2	t	AOS	Level B	2...11	400V 3N UK
269202	AOS101ECA2	u	AOS	Level C	2...11	400V 3N 50Hz
269212	AOS101ECH2	v	AOS	Level C	2...11	400V 3N 50Hz P80
269222	AOS101ECN2	z	AOS	Level C	2...11	230V 3N
237202	FCZ101ETA	A	FCZ	Touch	2...11	400V 3N 50Hz
237212	FCZ101ETH	B	FCZ	Touch	2...11	400V 3N 50Hz P80
237222	FCZ101ETN	C	FCZ	Touch	2...11	230V 3N
238202	FCZ101EBA2	D	FCZ	Level B	2...11	400V 3N 50Hz
238212	FCZ101EBH2	E	FCZ	Level B	2...11	400V 3N 50Hz P80
238222	FCZ101EBN2	F	FCZ	Level B	2...11	230V 3N
238232	FCZ101EBC2	G	FCZ	Level B	2...11	200V 3 60Hz Japan
239202	FCZ101ECA2	H	FCZ	Level C	2...11	400V 3N 50Hz
239212	FCZ101ECH2	I	FCZ	Level C	2...11	400V 3N 50Hz P80
239222	FCZ101ECA2	L	FCZ	Level C	2...11	230V 3N
269302	AOS101ECK2	M	AOS	Level C	2...11	400V 3N UK
269332	AOS101ECY2	N	AOS	Level C	2...11	400V 30 Bakery
267072	AOS101EAQ1	O	AOS	Level A	2...11	Nando's

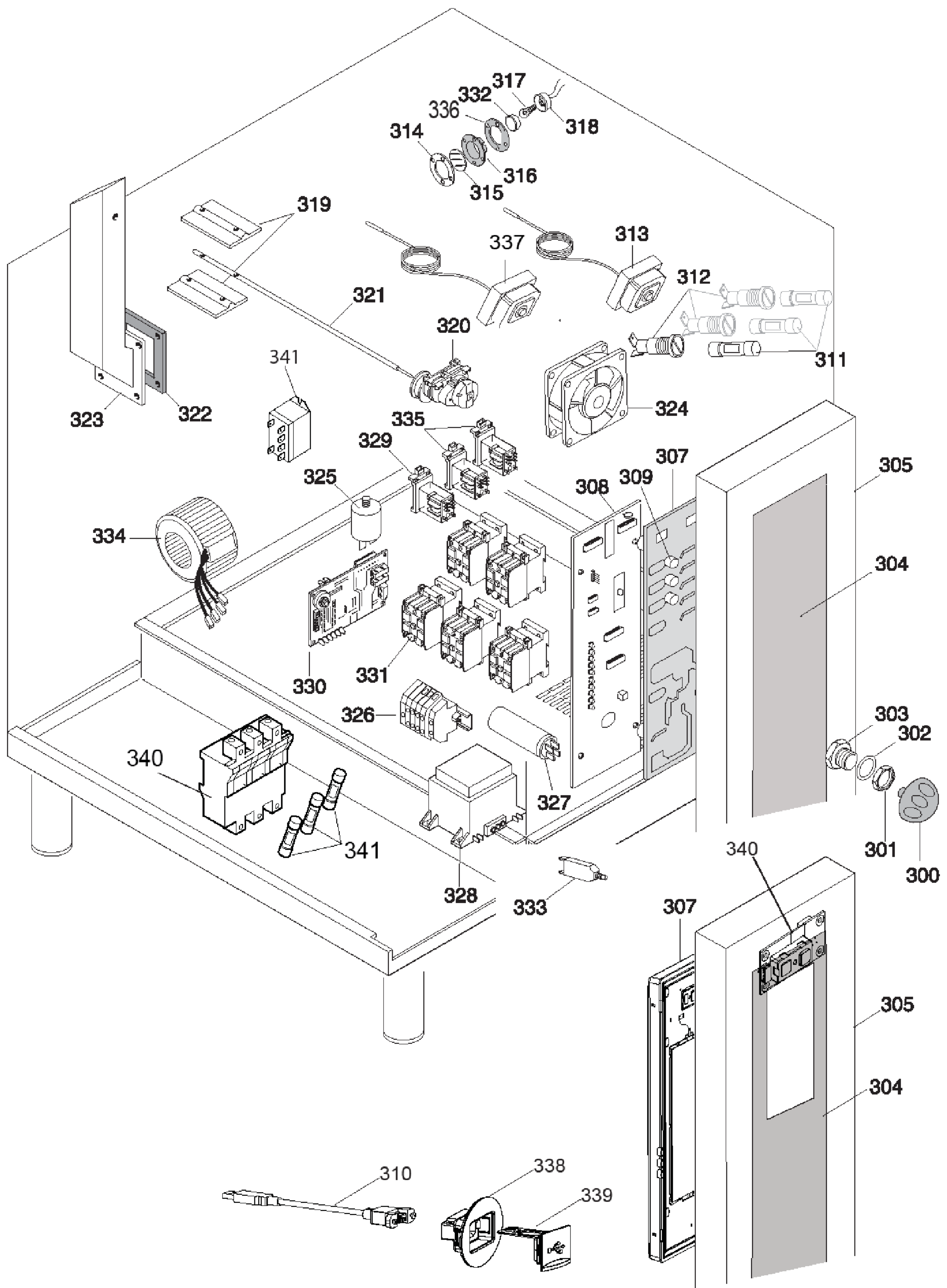
Pag	Index	Indice	Note
2	Oven cabinet and door.	Cella forno e porta	
3	Water system	Impianto idraulico	
4	Boiler	Boiler	
5	Electrical components	Componenti elettrici	
6	Accessories	Accessori	
7...10	Spare parts list	Lista ricambi	

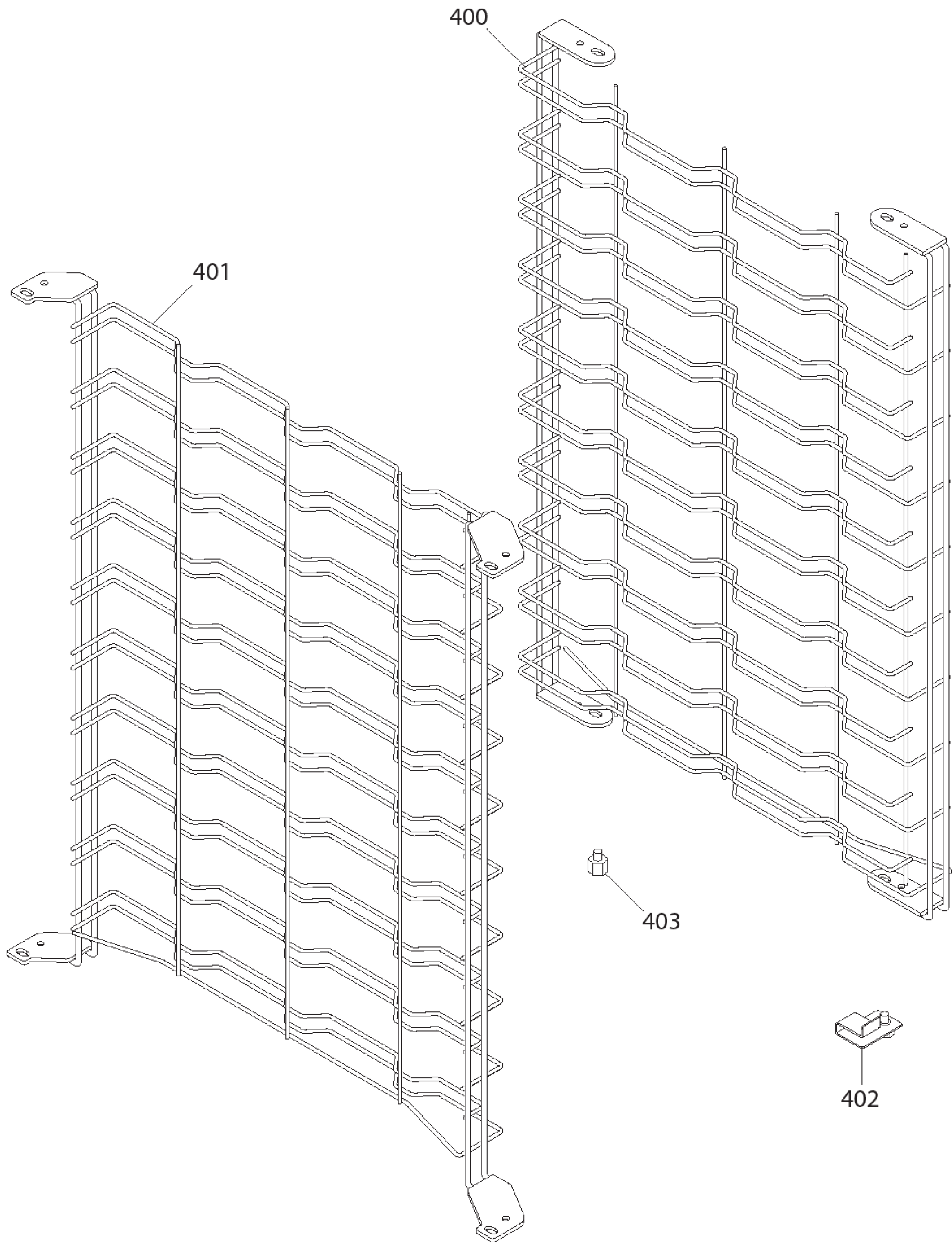
Brand/Marchio: All  
Factory code: 9PDD











---

**CATALOGO RICAMBI PER DOCGETTA****0C4248**

---

**SPARE PART LIST FOR****0C4248****SPRAY HOSE REEL**

